

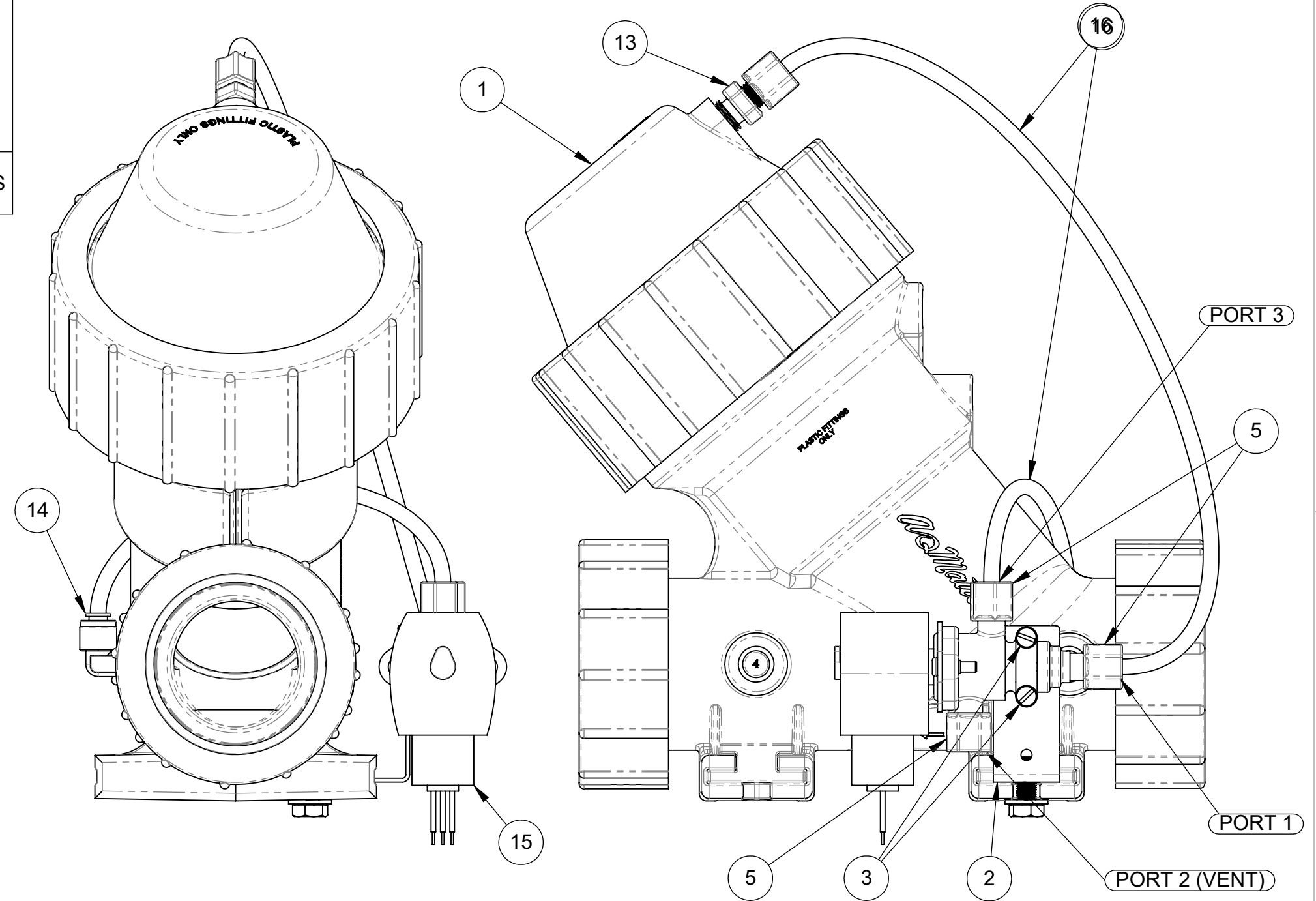
ITEM NO	PART NO	DESCRIPTION	531 EC QTY	531 EO QTY	534 EC QTY	534 EO QTY	535 EC QTY	535 EO QTY	537 EC QTY	537 EO QTY	UNIT
1	-	NORMALLY OPEN K53X SERIES VALVE	1	1	1	1	1	1	1	1	EACH
2	1073272	SOLENOID MOUNTING BRACKET	1	1	1	1	1	1	1	1	EACH
3	1072377	SCREW, RD HD, 8-32 X 1/4	2	2	2	2	2	2	2	2	EACH
4	1071646	NUT, HEX, 8-32	2	2	2	2	2	2	2	2	EACH
5	1071939	NUT & SLEEVE ASSEMBLY, 1/4" TUBE	3	3	3	3	3	3	3	3	EACH
6	1072354	SCREW, HEX HD, 5/16 X 5/8, SS	1	1	-	-	-	-	-	-	EACH
7	1073282	INSERT, HEADED KNURLED, 5/16-18	1	1	-	-	-	-	-	-	EACH
8	1073598	WASHER, FLAT, 5/16"	1	1	1	1	1	1	1	1	EACH
9	1072355	SCREW, HEX HD, CAP, 5/16-18	-	-	1	1	1	1	1	1	EACH
10	1071655	HEX NUT, 5/16"-18, 18-8SS	-	-	1	1	1	1	1	1	EACH
11	1078767	CONNECTOR, 1/8 MNPT X 1/4T	1	1	1	1	-	-	-	-	EACH
12	1071937	FITTING, ELBOW, 1/8NPT X 1/4T	1	1	1	1	-	-	-	-	EACH
13	1071941	CONNECTOR, 1/4 MNPT X 1/4T	-	-	-	-	1	1	1	1	EACH
14	1078770	FITTING, ELBOW, 1/4NPT X 1/4T	-	-	-	-	1	1	1	1	EACH
15	1075637	SOLENOID, ASCO, 120/60 VAC	1	1	1	1	1	1	1	1	EACH
	1075638	SOLENOID, ASCO, 220/50 VAC									
	1075639	SOLENOID, ASCO, 24/60 VAC									
	4510604	SOLENOID, ASCO, 24 VDC, N.O.									
	4510605	SOLENOID, ASCO, 24 VDC, N.C.									
16	1071936	TUBING, POLY 1/4" O.D. X .035"	12	12	16	16	17	17	20	20	INCHES
			7	7	9	9	9	9	11	10	

REVISIONS				
REV	ECN	DESCRIPTION	DATE	APP'D
A		INITIAL RELEASE	06/21/2001	JWB
B		NUMBER CONVERSION	12/19/2002	APVD
C	1695	REDRAWN IN AQ TEMPLATE, CORRECTED BOM ERRORS	4/14/2020	PMJ
D	1789	ADDED SOLENOID P/N 4510604, 4510605	10/21/2020	PMJ

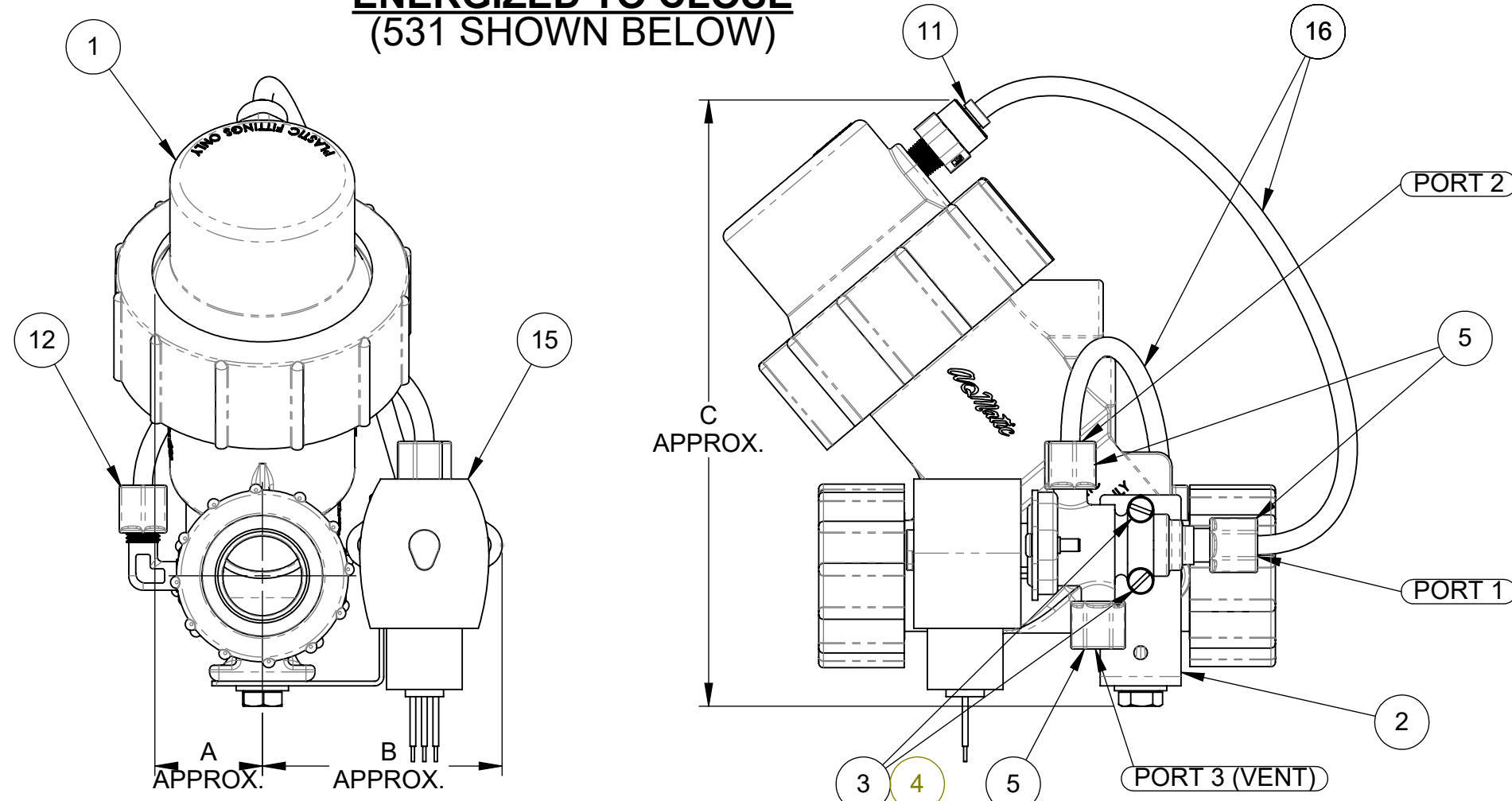
NOTES:

- LENGTH OF TUBING VARIES WITH EACH SIZE OF DIAPHRAGM VALVE.
 - DIAPHRAGM VALVE IS NORMALLY OPEN, PRESSURE TO CLOSE.
 - BOSS NO. 1 ON VALVE TAPPED 1/8" N.P.T. (531, 534) OR 1/4" N.P.T. (535, 537)
 - DRY DRAIN OPTIONS DETAILED ON SHEET 2.
 - INDEPENDANT CONTROL PRESSURE OPTIONS DETAILED ON SHEET 3.
- EC STANDS FOR ENERGIZED TO CLOSE.
EO STANDS FOR ENERGIZED TO OPEN.

ENERGIZED TO OPEN
(535 SHOWN BELOW)



ENERGIZED TO CLOSE
(531 SHOWN BELOW)



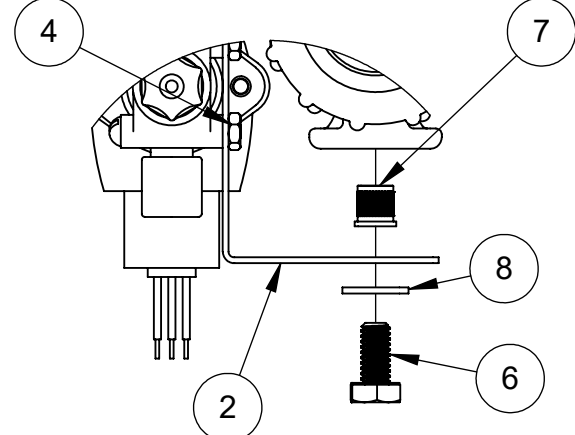
SOLENOID ENERGIZED:
UPSTREAM PRESSURE, FROM SOLENOID PORT 2 TO PORT 1, IS APPLIED TO UPPER DIAPHRAGM CHAMBER TO CLOSE THE VALVE.

SOLENOID DE-ENERGIZED:
PRESSURE FROM UPPER DIAPHRAGM CHAMBER IS VENTED, THROUGH SOLENOID PORT 1 TO PORT 3 TO DRAIN. UPSTREAM PRESSURE OPENS THE DIAPHRAGM VALVE.

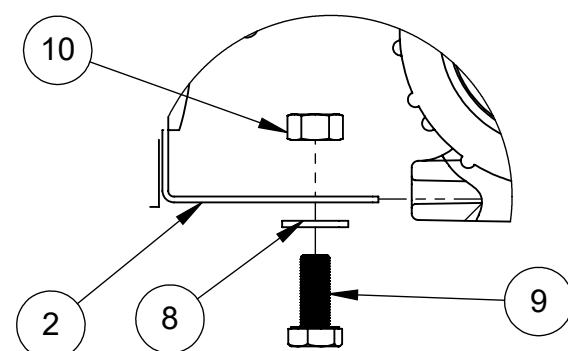
SOLENOID ENERGIZED:
PRESSURE FROM UPPER DIAPHRAGM CHAMBER IS VENTED, THROUGH SOLENOID PORT 1 TO PORT 2 TO DRAIN. UPSTREAM PRESSURE OPENS THE DIAPHRAGM VALVE.

SOLENOID DE-ENERGIZED:
UPSTREAM PRESSURE, FROM SOLENOID PORT 3 TO PORT 1, IS APPLIED TO UPPER DIAPHRAGM CHAMBER TO CLOSE THE VALVE.

DETAIL A
531 MOUNTING



DETAIL B
534-537 MOUNTING



VALVE SERIES	PIPE SIZE	A [MM] IN.	B [MM] IN.	C [MM] IN.
531	1"	[36] 1.41	[80] 3.14	[202] 7.94
534	1-1/2"	[62] 2.45	[108] 4.24	[255] 10.05
535	2"	[76] 2.98	[110] 4.33	[310] 12.21
537	3"	[99] 3.91	[96] 3.8	[377] 14.83

THIS DOCUMENT IS SOLELY THE PROPERTY OF AQ-MATIC REPRODUCTION, USE DISCLOSURE, OR TRANSMISSION OF THIS DOCUMENT OR DETAILS CONTAINED HEREIN, IN PART OR IN WHOLE, IS PROHIBITED WITHOUT THE WRITTEN CONSENT OF AQ-MATIC ENGINEERING. THIS DOCUMENT AND ANY COPIES SHALL BE RETURNED TO AQ-MATIC UPON WRITTEN REQUEST.

INTERPRET DIMENSIONS AND TOLERANCES PER ASME Y14.5M -1994

UNLESS OTHERWISE SPECIFIED:
DIMENSIONS ARE IN INCHES (mm)
CORNER FILLETS R.005-.020 [127-508]
TOLERANCES:
ANGLES: ±1°
1 PLACE .X: ±.100 [2.54]
2 PLACE .XX: ±.010 [0.25]
3 PLACE .XXX: ±.005 [0.13]

THE COMPONENT OR PRODUCT DESCRIBED IN THIS DOCUMENT MUST COMPLY WITH RoHS 3 EU (EUROPEAN UNION) DIRECTIVE 2015/863

THIRD ANGLE PROJECTION

APPROVALS: [Signature] DATE: 4/14/2020

DRAWN: PMJ

CHECKED BY:

APPROVED:

DESCRIPTION: K531-K537 SOLENOID OPERATED VALVES

SIZE: C DWG NO.: 1078170 REV.: D

SCALE: 1:2 SOLIDWORKS FORMAT SHEET 1 OF 3

AQ-Matic AQ-MATIC VALVES AND CONTROLS

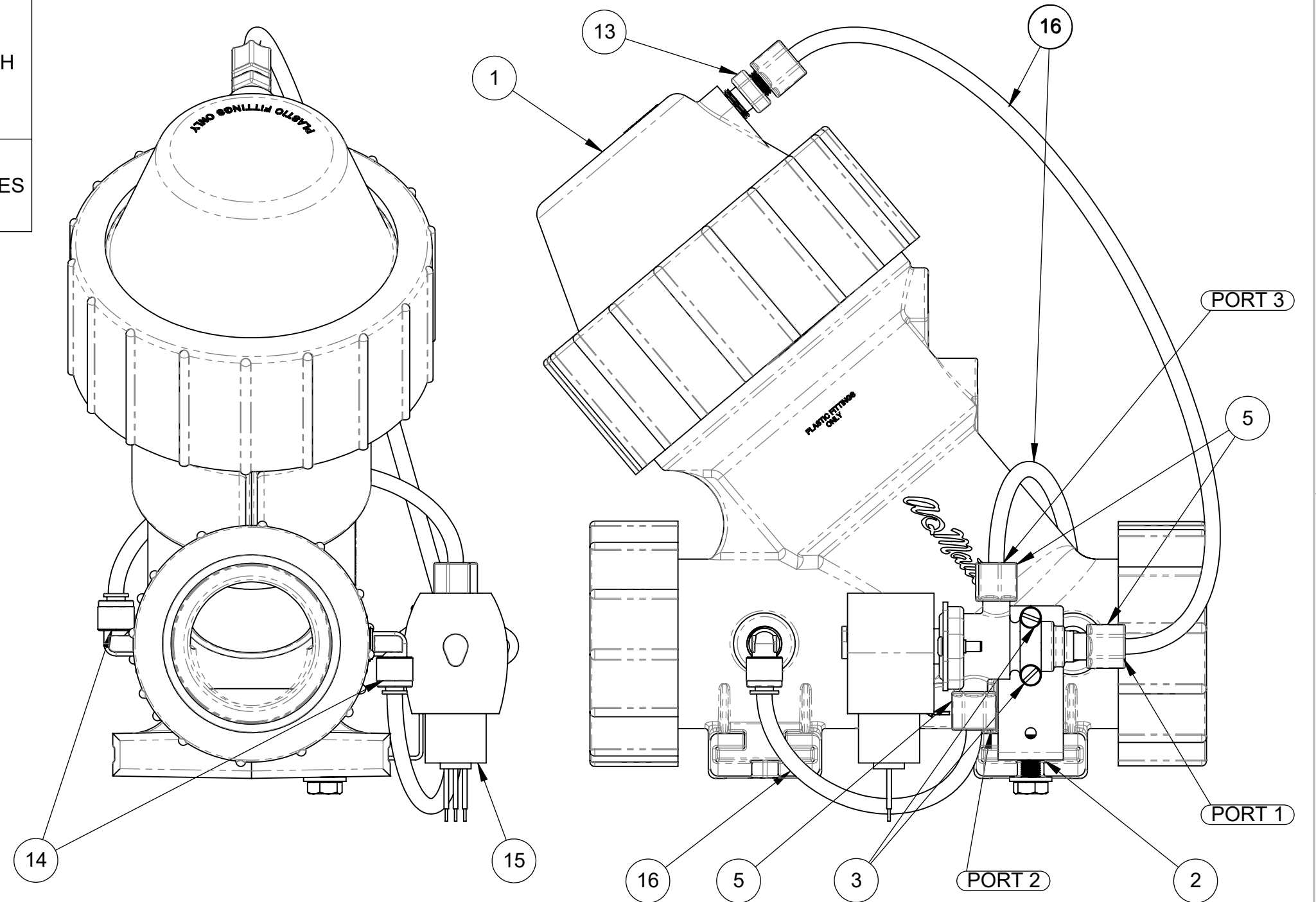
ITEM NO	PART NO	DESCRIPTION	531 ECDD	531 EODD	534 ECDD	534 EODD	535 ECDD	535 EODD	537 ECDD	537 EODD	UNIT
1	-	NORMALLY OPEN K53X SERIES VALVE	1	1	1	1	1	1	1	1	EACH
2	1073272	SOLENOID MOUNTING BRACKET	1	1	1	1	1	1	1	1	EACH
3	1072377	SCREW, RD HD, 8-32 X 1/4	2	2	2	2	2	2	2	2	EACH
4	1071646	NUT, HEX, 8-32	2	2	2	2	2	2	2	2	EACH
5	1071939	NUT & SLEEVE ASSEMBLY, 1/4" TUBE	3	3	3	3	3	3	3	3	EACH
6	1072354	SCREW, HEX HD, 5/16 X 5/8, SS	1	1	-	-	-	-	-	-	EACH
7	1073282	INSERT, HEADED KNURLED, 5/16-18	1	1	-	-	-	-	-	-	EACH
8	1073598	WASHER, FLAT, 5/16"	1	1	1	1	1	1	1	1	EACH
9	1072355	SCREW, HEX HD, CAP, 5/16-18	-	-	1	1	1	1	1	1	EACH
10	1071655	HEX NUT, 5/16"-18, 18-8SS	-	-	1	1	1	1	1	1	EACH
11	1078767	CONNECTOR, 1/8 MNPT X 1/4T	1	1	1	1	-	-	-	-	EACH
12	1071937	FITTING, ELBOW, 1/8NPT X 1/4T	2	2	2	2	-	-	-	-	EACH
13	1071941	CONNECTOR, 1/4 MNPT X 1/4T	-	-	-	-	1	1	1	1	EACH
14	1078770	FITTING, ELBOW, 1/4NPT X 1/4T	-	-	-	-	2	2	2	2	EACH
15	1075637	SOLENOID, ASCO, 120/60 VAC	1	1	1	1	1	1	1	1	EACH
	1075638	SOLENOID, ASCO, 220/50 VAC									
	1075639	SOLENOID, ASCO, 24/60 VAC									
	4510604	SOLENOID, ASCO, 24 VDC, N.O.									
	4510605	SOLENOID, ASCO, 24 VDC, N.C.									
16	1071936	TUBING, POLY 1/4" O.D. X .035"	12	12	16	16	17	17	20	20	INCHES
			7	7	9	9	9	9	10	10	
			8	7	6	6	7	7	9	9	

REVISIONS				
REV	ECN	DESCRIPTION	DATE	APP'D
SEE SHEET 1 FOR CHANGE LOG				

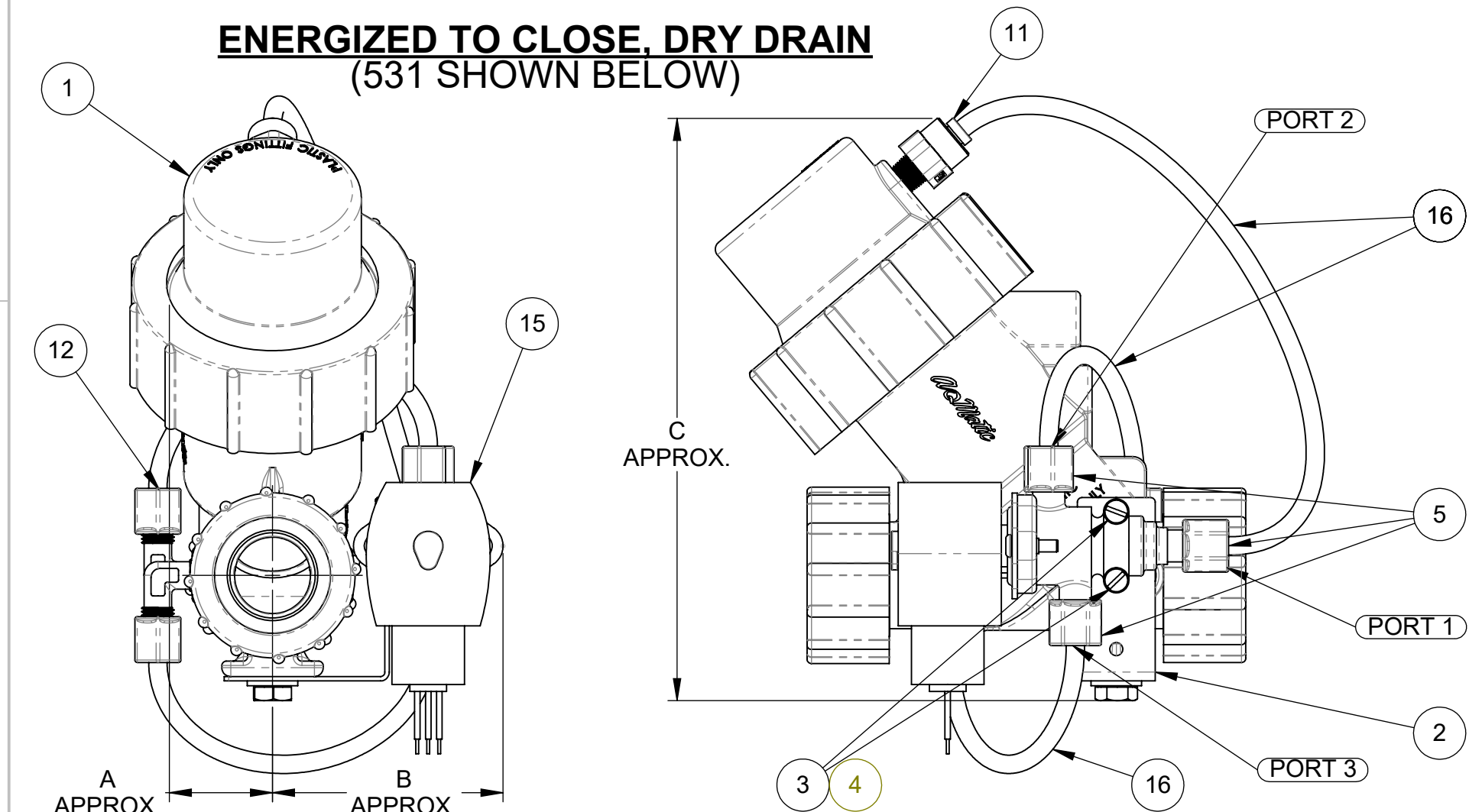
NOTES:

- LENGTH OF TUBING VARIES WITH EACH SIZE OF DIAPHRAGM VALVE.
- DIAPHRAGM VALVE IS NORMALLY OPEN, PRESSURE TO CLOSE.
- BOSSSES ON VALVE TAPPED 1/8" N.P.T. (531, 534) OR 1/4" N.P.T. (535, 537)
- STANDARD OPTIONS DETAILED ON SHEET 1.
- INDEPENDANT CONTROL PRESSURE OPTIONS DETAILED ON SHEET 3.
- ECDD STANDS FOR ENERGIZED TO CLOSE, DRY DRAIN. EODD STANDS FOR ENERGIZED TO OPEN, DRY DRAIN.
- 531 VALVES ARE TAPPED IN BOSSES 1 & 3. 534 - 537 VALVES ARE TAPPED IN BOSSES 1 & 4. DRY DRAIN OPTION REQUIRES DOWNSTREAM SIDE OF VALVE TO BE AT ATMOSPHERIC PRESSURE WHEN VALVE IS CLOSED.

ENERGIZED TO OPEN (535 SHOWN BELOW)



ENERGIZED TO CLOSE, DRY DRAIN (531 SHOWN BELOW)



SOLENOID ENERGIZED:
UPSTREAM PRESSURE, FROM SOLENOID PORT 2 TO PORT 1, IS APPLIED TO UPPER DIAPHRAGM CHAMBER TO CLOSE THE VALVE.

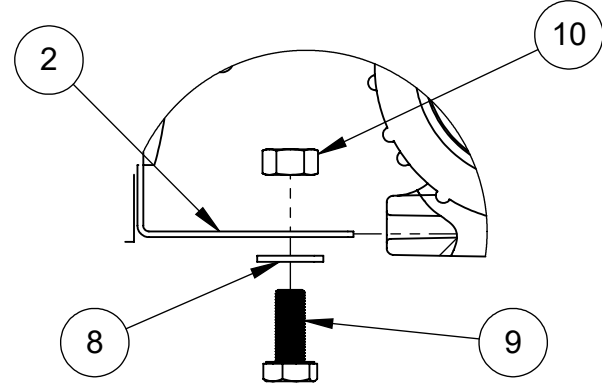
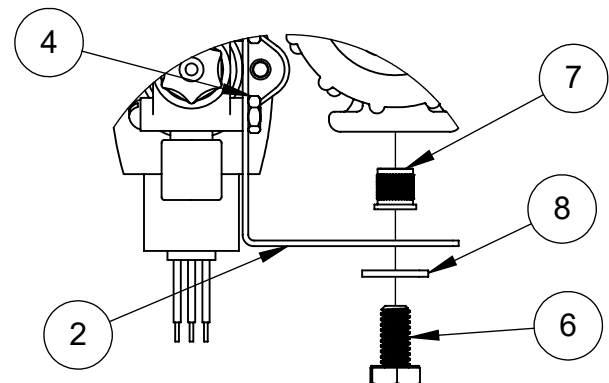
SOLENOID DE-ENERGIZED:
PRESSURE FROM UPPER DIAPHRAGM CHAMBER IS VENTED, THROUGH SOLENOID PORT 1 TO PORT 3 TO DOWNSTREAM. UPSTREAM PRESSURE OPENS THE DIAPHRAGM VALVE.

SOLENOID ENERGIZED:
PRESSURE FROM UPPER DIAPHRAGM CHAMBER IS VENTED, THROUGH SOLENOID PORT 1 TO PORT 2 TO DOWNSTREAM. UPSTREAM PRESSURE OPENS THE DIAPHRAGM VALVE.

SOLENOID DE-ENERGIZED:
UPSTREAM PRESSURE, FROM SOLENOID PORT 3 TO PORT 1, IS APPLIED TO UPPER DIAPHRAGM CHAMBER TO CLOSE THE VALVE.

DETAIL A 531 MOUNTING

DETAIL B 534-537 MOUNTING



VALVE SERIES	PIPE SIZE	A [MM] IN.	B [MM] IN.	C [MM] IN.
531	1"	[36] 1.41	[80] 3.14	[202] 7.94
534	1-1/2"	[108] 4.24	[62] 2.45	[264] 10.38
535	2"	[110] 4.33	[76] 2.98	[310] 12.21
537	3"	[99] 3.91	[96] 3.78	[377] 14.83

THIS DOCUMENT IS SOLELY THE PROPERTY OF AQ-MATIC REPRODUCTION, USE DISCLOSURE, OR TRANSMISSION OF THIS DOCUMENT OR DETAILS CONTAINED HEREIN, IN PART OR IN WHOLE, IS PROHIBITED WITHOUT THE WRITTEN CONSENT OF AQ-MATIC ENGINEERING. THIS DOCUMENT AND ANY COPIES SHALL BE RETURNED TO AQ-MATIC UPON WRITTEN REQUEST.

INTERPRET DIMENSIONS AND TOLERANCES PER ASME Y14.5M -1994

UNLESS OTHERWISE SPECIFIED:
DIMENSIONS ARE IN INCHES (mm)
CORNER FILLETS R.005-.020 [127-508]
TOLERANCES:
ANGLES: ±1°
1 PLACE .X: ±.100 [2.54]
2 PLACE .XX: ±.010 [0.25]
3 PLACE .XXX: ±.005 [0.13]

THE COMPONENT OR PRODUCT DESCRIBED IN THIS DOCUMENT MUST COMPLY WITH RoHS 3 EU (EUROPEAN UNION) DIRECTIVE 2015/863

THIRD ANGLE PROJECTION

APPROVALS: DATE: 4/14/2020

DRAWN: PMJ

CHECKED BY:

APPROVED:

AQ-Matic AQ-MATIC VALVES AND CONTROLS

DESCRIPTION: K531-K537 SOLENOID OPERATED VALVES

SIZE: C DWG NO.: 1078170 REV.: D

SCALE: 1:2 SOLIDWORKS FORMAT SHEET 2 OF 3

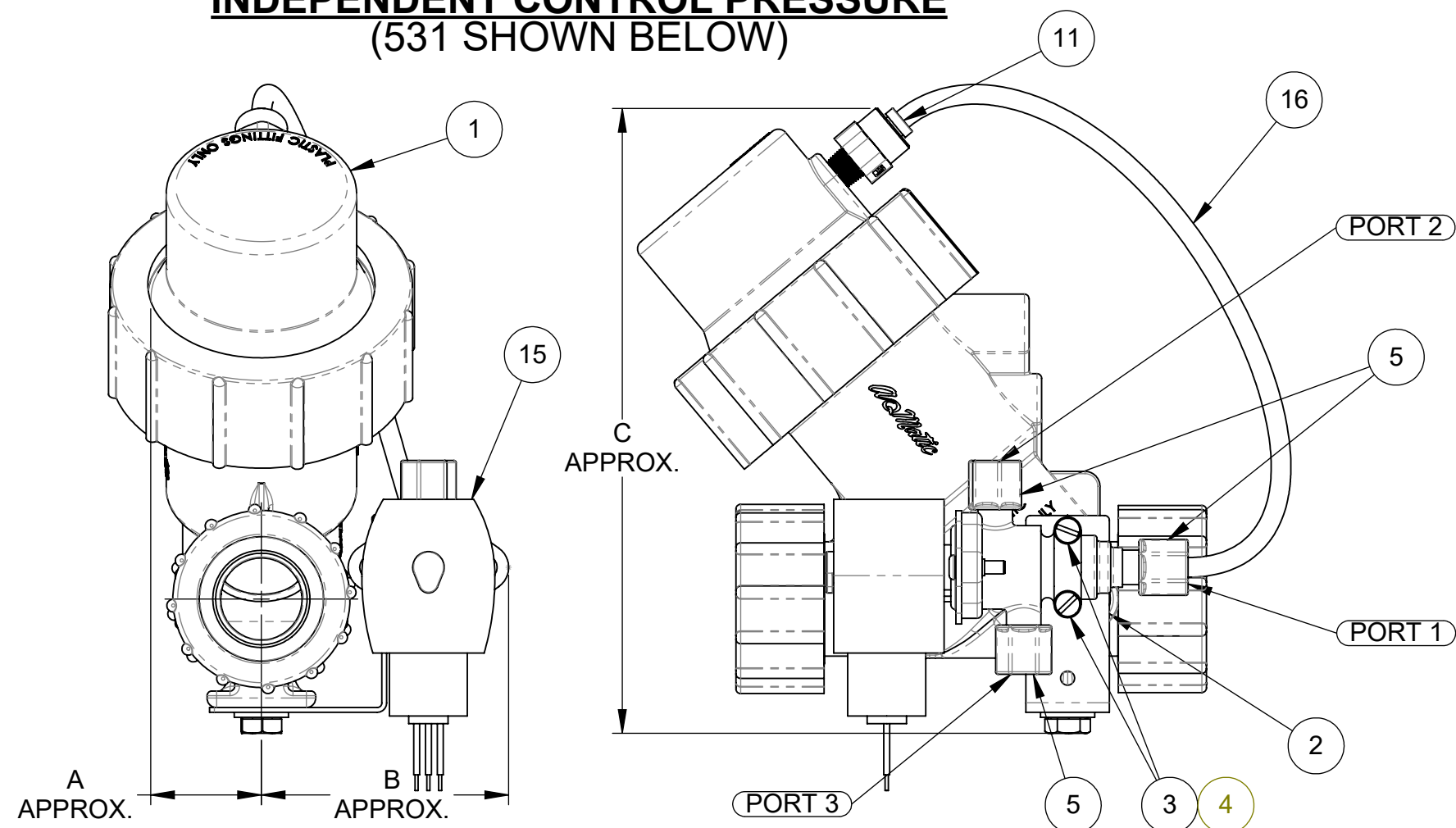
ITEM NO	PART NO	DESCRIPTION	531 IP QTY	534 IP QTY	535 IP QTY	537 IP QTY	UNIT
1	-	NORMALLY OPEN K53X SERIES VALVE	1	1	1	1	EACH
2	1073272	SOLENOID MOUNTING BRACKET	1	1	1	1	EACH
3	1072377	SCREW, RD HD, 8-32 X 1/4	2	2	2	2	EACH
4	1071646	NUT, HEX, 8-32	2	2	2	2	EACH
5	1071939	NUT & SLEEVE ASSEMBLY, 1/4" TUBE	3	3	3	3	EACH
6	1072354	SCREW, HEX HD, 5/16 X 5/8, SS	1	-	-	-	EACH
7	1073282	INSERT, HEADED KNURLED, 5/16-18	1	-	-	-	EACH
8	1073598	WASHER, FLAT, 5/16"	1	1	1	1	EACH
9	1072355	SCREW, HEX HD, CAP, 5/16-18	-	1	1	1	EACH
10	1071655	HEX NUT, 5/16"-18, 18-8SS	-	1	1	1	EACH
11	1078767	CONNECTOR, 1/8 MNPT X 1/4T	1	1	-	-	EACH
13	1071941	CONNECTOR, 1/4 MNPT X 1/4T	-	-	1	1	EACH
15	1075637	SOLENOID, ASCO, 120/60 VAC	1	1	1	1	EACH
	1075638	SOLENOID, ASCO, 220/50 VAC					
	1075639	SOLENOID, ASCO, 24/60 VAC					
16	1071936	TUBING, POLY 1/4" O.D. X .035"	12	16	17	20	INCHES

REVISIONS				
REV	ECN	DESCRIPTION	DATE	APP'D
SEE SHEET 1 FOR CHANGE LOG				

NOTES:

1. LENGTH OF TUBING VARIES WITH EACH SIZE OF DIAPHRAGM VALVE.
2. DIAPHRAGM VALVE IS NORMALLY OPEN, PRESSURE TO CLOSE.
3. BOSS NO. 1 ON VALVE TAPPED 1/8" N.P.T. (531, 534) OR 1/4" N.P.T. (535, 537)
4. STANDARD OPTIONS DETAILED ON SHEET 1.
5. DRY DRAIN OPTIONS DETAILED ON SHEET 2.
6. IP STANDS FOR INDEPENDENT PRESSURE.

INDEPENDENT CONTROL PRESSURE (531 SHOWN BELOW)



ENERGIZE TO OPEN
 APPLY CONTROL PRESSURE AT SOLENOID PORT NO. 3.
 (PORT NO. 2 VENTED)

ENERGIZE TO CLOSE
 APPLY CONTROL PRESSURE AT SOLENOID PORT NO. 2.
 (PORT NO. 3 VENTED)

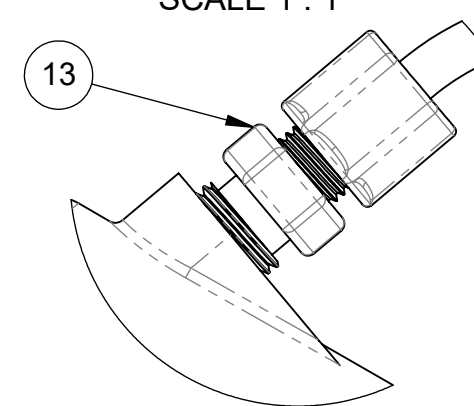
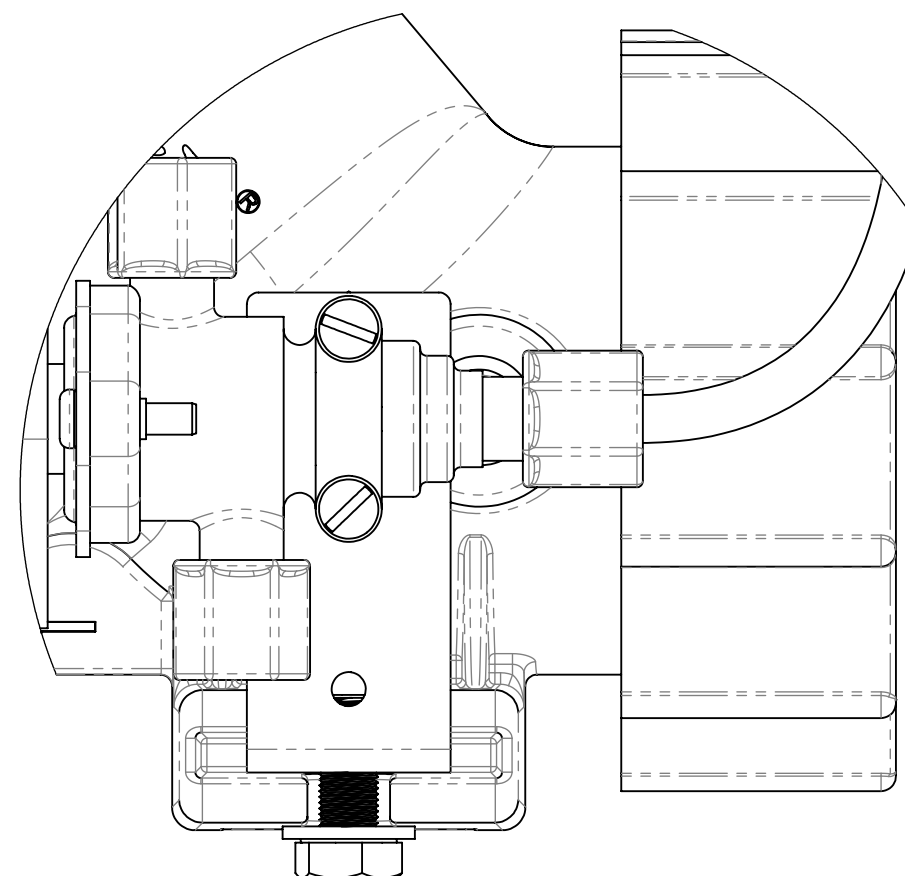
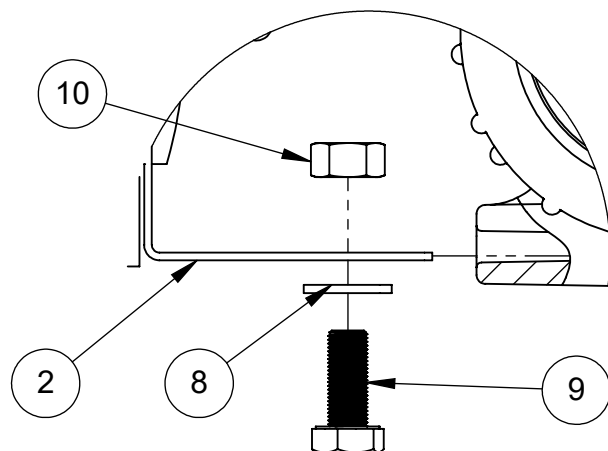
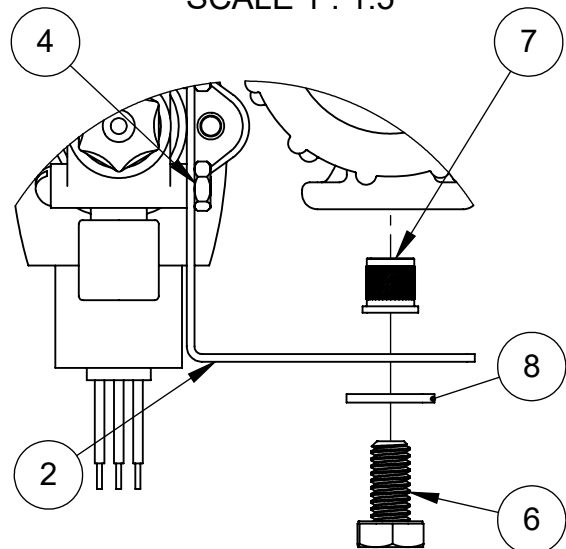
CONTROL PRESSURE MUST BE EQUAL TO OR GREATER THAN LINE PRESSURE

DETAIL C
 534 - 537 MOUNTING
 SCALE 1 : 1

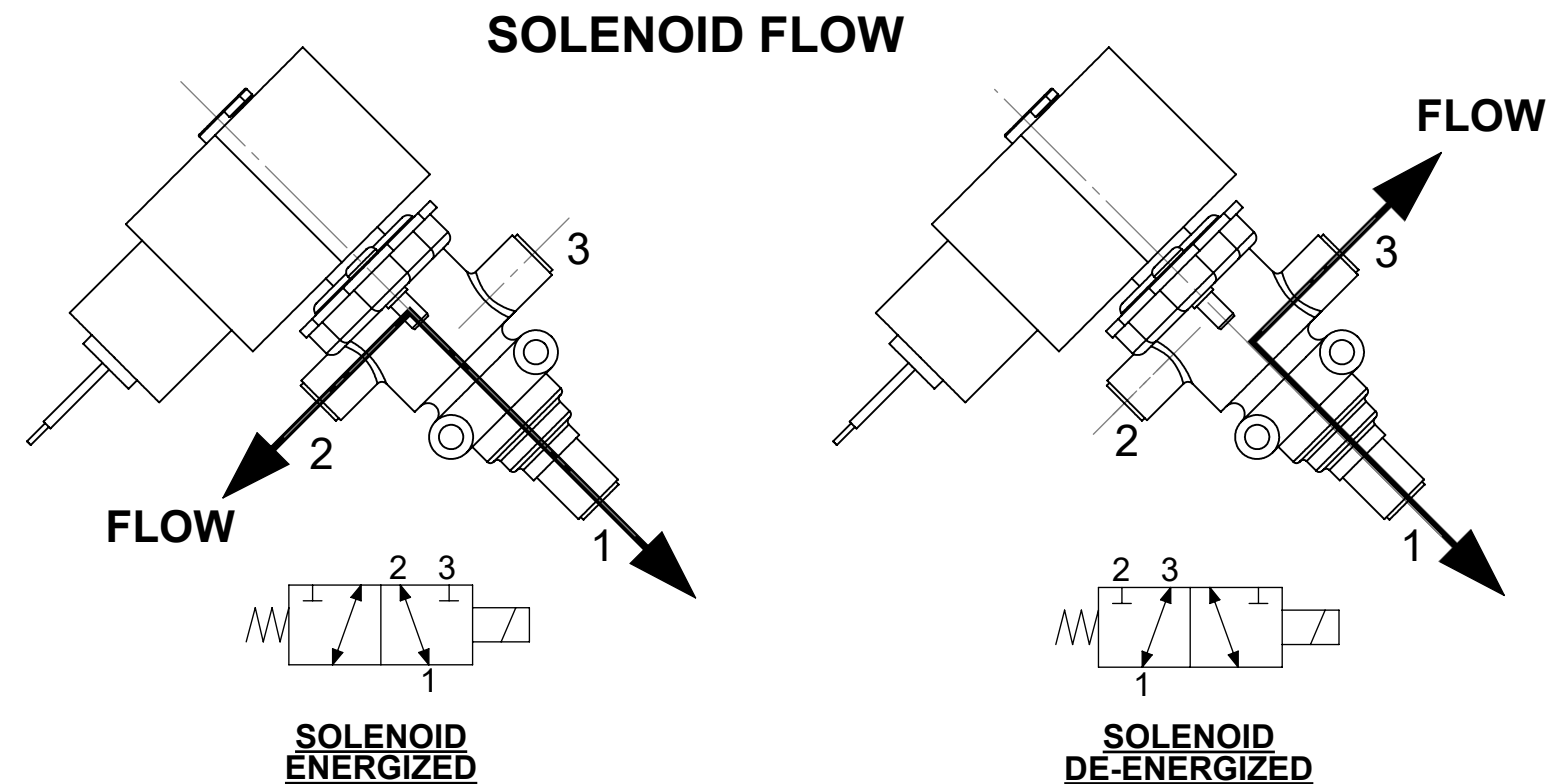
DETAIL D
 535 - 537 CAP FITTING
 SCALE 1 : 1

DETAIL A
 531 MOUNTING
 SCALE 1 : 1.5

DETAIL B
 534 - 537 MOUNTING
 SCALE 1 : 1.5



CURRENT DRAIN (AMPERES)		
VOLTAGE	INRUSH	HOLDING
24V 60Hz	1.66	1.04
120V 60Hz	0.33	0.21
220V 50Hz	0.18	0.11



VALVE SERIES	PIPE SIZE	A [MM] [IN.]	B [MM] [IN.]	C [MM] [IN.]
531	1"	[80] 3.14	[49] 1.94	[202] 7.94
534	1-1/2"	[108] 4.24	[62] 2.45	[264] 10.38
535	2"	[110] 4.33	[76] 2.98	[310] 12.21
537	3"	[99] 3.91	[96] 3.78	[377] 14.83

THIS DOCUMENT IS SOLELY THE PROPERTY OF AQ-MATIC REPRODUCTION, USE DISCLOSURE, OR TRANSMISSION OF THIS DOCUMENT OR DETAILS CONTAINED HEREIN, IN PART OR IN WHOLE, IS PROHIBITED WITHOUT THE WRITTEN CONSENT OF AQ-MATIC ENGINEERING. THIS DOCUMENT AND ANY COPIES SHALL BE RETURNED TO AQ-MATIC UPON WRITTEN REQUEST.

INTERPRET DIMENSIONS AND TOLERANCES PER ASME Y14.5M -1994

UNLESS OTHERWISE SPECIFIED: DIMENSIONS ARE IN INCHES [mm]
 CORNER FILLETS R.005-.020 [127-508]
 TOLERANCES:
 ANGLES: ±1°
 1 PLACE .X: ±.100 [2.54]
 2 PLACE .XX: ±.010 [0.25]
 3 PLACE .XXX: ±.005 [0.13]

THE COMPONENT OR PRODUCT DESCRIBED IN THIS DOCUMENT MUST COMPLY WITH RoHS 3 EU (EUROPEAN UNION) DIRECTIVE 2015/863

THIRD ANGLE PROJECTION

APPROVALS: PMJ DATE: 4/14/2020

DESCRIPTION: K531-K537 SOLENOID OPERATED VALVES

SIZE: C DWG NO.: 1078170 REV.: D

SCALE: 1:2 SOLIDWORKS FORMAT SHEET 3 OF 3